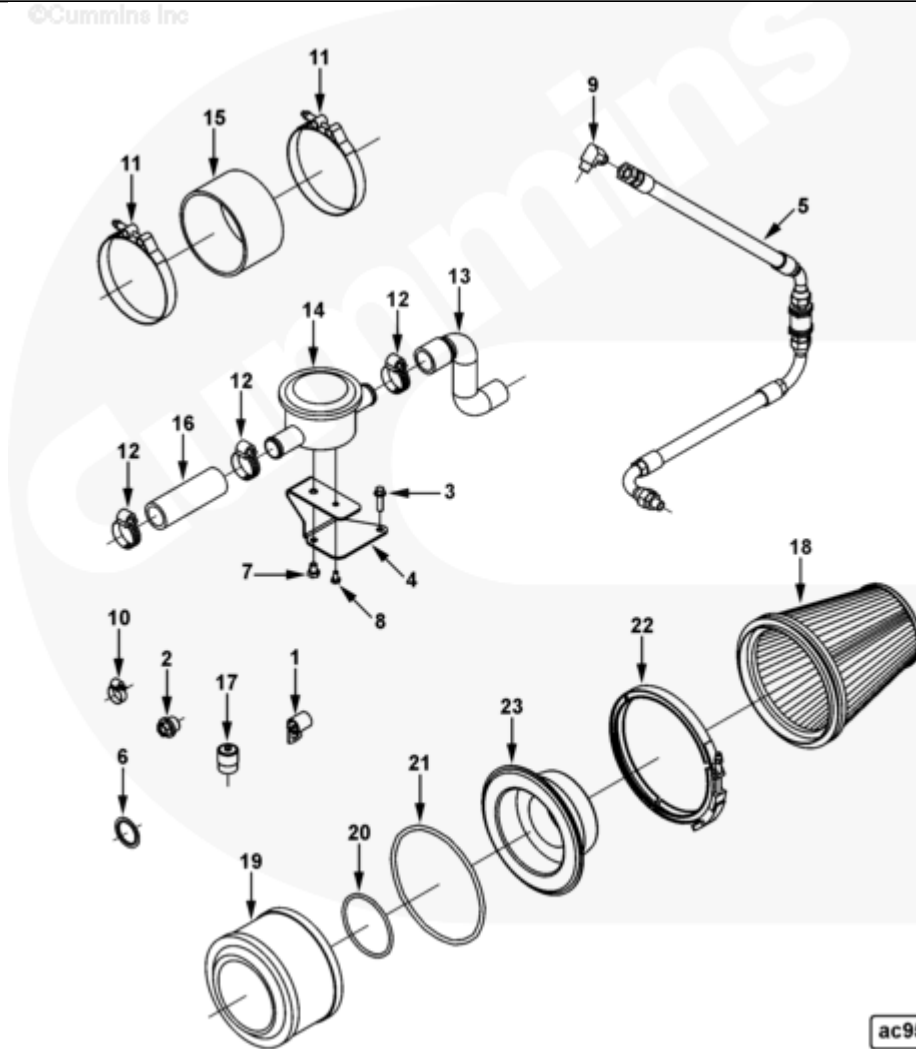




Parts Catalog - Option Detail

Electronic Parts Catalog - Option Detail				
Option	Group	Graphic	Film Card	Date
AC9179	10.04	ac956ge	Z	10-JUN-13
Engines	6C8.3, C GAS PLUS CM556, G8.3, G8.3 CM558, GTA8.3 CM558, ISC CM2150, ISC CM554, ISC CM850, ISC8.3 CM2250, ISC8.3 G CM2180 C101, ISL CM2150, ISL CM554, ISL CM850, ISL G CM2180, ISL8.9 CM2150 L110, ISL8.9 CM2880 L112, ISL9 CM2150 SN, ISL9 CM2250, ISL9 CM2350 L101, ISL9 CM2350 L111, ISLE4 CM850, L GAS PLUS CM556, L8.9, L8.9 L121, L8.9G CMOH2.0 L125B, L9 CM2350 L116B, L9 CM2350 L119B, L9 CM2350 L120C, L9 CM2350 L123B, L9.3 L105, L9.5 L117, L9N CM2380 L124B, QSC8.3 CM2250, QSC8.3 CM2880 C102, QSC8.3 CM554, QSC8.3 CM850(CM2850), QSL9 CM2250, QSL9 CM2250 L115, QSL9 CM2350 L102, QSL9 CM2350 L107, QSL9 CM2350 L118, QSL9 CM2350 L122, QSL9 CM554, QSL9 CM850(CM2850), QSL9 G CM558, QSL9 M CM2250 L106, QSL9.3 CM2880 L113			



ac956ge

[SMALL](#) | [MEDIUM](#) | [LARGE](#)

Cart	Ref No	Part Number	Part Description	Required	Remarks
<input type="button" value="View My Cart"/>					

		AC9179	Air Cleaner		Air Cleaner...(More)
					Aspiration: Raw Water
					Aftercooled
					Mounting Location:
					From Engine CL (mm): 70.6
					From CCL (mm): 495.9
					From FFOB (mm): -1023.2
					Air Inlet Diameter (mm): 127
					Manufacturer: Walker
					Duty Rating: Light
					Filter Disposition: Re-Usable
					Restriction Indicator: Yes
					Breather Provision: CCV
					Air Flow Capability (CFM):
					1200
<input type="checkbox"/>	1	216848	Clip	1	
<input type="checkbox"/>	2	3897087	Threaded Plug	1	
<input type="checkbox"/>	3	3900630	Hexagon Flange Head Cap Screw	2	M8 X 1.25 X 20
<input type="checkbox"/>		3968002	Air Cleaner	1	
<input type="checkbox"/>	4	3971067	Air Cleaner Bracket	1	
<input type="checkbox"/>	5	3971169	Air Cleaner	1	
<input type="checkbox"/>	6	4078761	Sealing Washer	1	
<input type="checkbox"/>		4938892	Air Cleaner	1	
<input type="checkbox"/>	7	S 181 B	Hexagon Head Cap Screw	1	3/8 - 16 X 1/2 in.
<input type="checkbox"/>	8	S 188 C	Hexagon Head Cap Screw	1	1/4 - 20 X 1/2 in.
<input type="checkbox"/>	9	43765	Male Adapter Elbow	1	
<input type="checkbox"/>	10	43828	Hose Clamp	1	9/16 - 1 1/16 in.
<input type="checkbox"/>	11	149437	T-Bolt Clamp	2	5 1/2 in.
<input type="checkbox"/>	12	209773	Hose Clamp	3	3/4 - 1 3/4 in.
<input type="checkbox"/>	13	3971065	Molded Hose	1	

<input type="checkbox"/>	14	3971066	Pressure Regulator Valve	1	
<input type="checkbox"/>	15	3971080	Plain Hose	1	
<input type="checkbox"/>	16	3971170	Plain Hose	1	
<input type="checkbox"/>		4938894	Air Cleaner	1	Includes Filter Cleaning Kit
<input type="checkbox"/>	17	3971068	Restriction Indicator	1	
<input type="checkbox"/>	18	3971069	Air Cleaner Element	1	
<input type="checkbox"/>	19	3971070	Coalescing Filter	1	
<input type="checkbox"/>	20	3971075	O-Ring Seal	1	
<input type="checkbox"/>	21	3971076	O-Ring Seal	1	
<input type="checkbox"/>	22	3971078	Air Cleaner Clamp	1	
<input type="checkbox"/>	23	4939689	Air Silencer	1	
<input type="checkbox"/>		3973523	Filter Cleaning Kit	A/R	